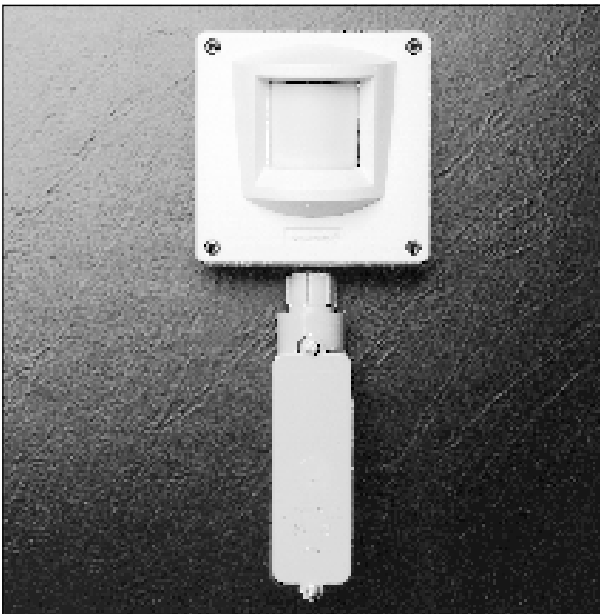




6187CTX Industrial/Outdoor Sharpshooter™ above.



618703 shown with wireless transmitter box.

## 6180 SERIES PASSIVE INFRARED

### Industrial/Outdoor Sharpshooter™ PIR

Model number:  
6187CTX, 618703, 618709



LISTED

**Sentrol's** rugged passive infrared detector is excellent for use in many harsh environments. The unique design enables the detector to be used in applications that range from outdoors to indoor industrial plants that are exposed to water, dust, shock and severe temperatures.

The detector uses a dual pyroelectric sensor with jumper selectable one- or two-zone detections. It features a sequence processor that combines bi-directional pulse counting and Motion Verification, the most sophisticated signal processing available. An opaque, high resolution Fresnel lens focuses the infrared energy on the pyroelectric sensor while blocking stray or reflected light.

The 6180 Series is housed in a cast metal housing designed to mount flat on a wall. A separate swivel bracket assembly (part #6083-N) is available for applications requiring additional flexibility. The back case is symmetrical allowing conduit entry from bottom, left or right, top entry is not recommended. The case as well as the mounting screws are gasketed for water resistant rating. The 6180 handles operating temperatures as low as -40°F to 120°F (-40°C to +50°C). Temperature compensation helps maintain range even as the environmental temperature nears body temperature.

- **Cast metal housing for rugged industrial or outdoor installations**
- **Water resistant, dust proof**
- **The only industrial PIR that operates to -40°F (-40°C)**
- **Separate swivel bracket for additional flexibility**
- **Also available in 3 volt or 9 volt wireless**

# Sentrol 6180 Series Industrial Sharpshooter™

## Specifications for 6187CTX:

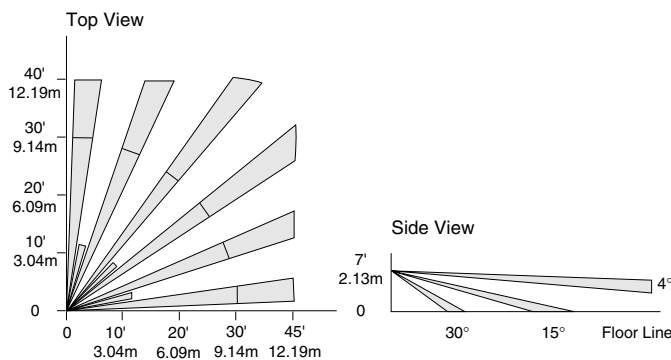
### Electrical

Voltage ..... 7 to 16 V DC  
 Current ..... 8 mA typical, 10 mA max.  
 Maximum loop rating ..... 16 V DC, 50 mA  
 Alarm output ..... Fail safe contacts w/ 10 Ohms in series,  
 Form C, Normally Closed and Open (SPDT)  
 Alarm duration ..... 2 to 5 seconds  
 Cover tamper contacts ..... Normally Closed,  
 rating: 50mA

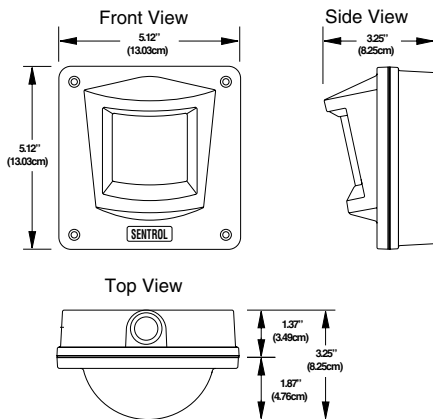
### Environmental

Operating temperature ..... -40°F to 120°F (-40°C to +50°C)  
 Dust proof, water resistant  
 RFI Immunity ..... greater than 10 V/meter from 0 to 1000MHz  
 Static/lightning immunity ..... 2.5 kV, 2 joules max energy  
 impulse, 1 msec rise / 50 msec decay

### Standard Wide Angle



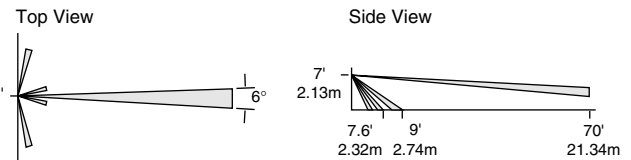
### Dimensions



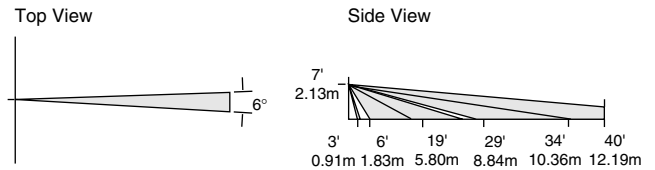
### Features

Pulse count ..... Bi-directional, 1 event (2 pulses) or  
 2 events (4 pulses)  
 with Motion Verification  
 Range .....  
 Standard wide Angle ..... 45° (13.7 m) x 90°  
 Long Range ..... 70° (21.34 m) x 6°  
 Vertical Barrier ..... 40° (12.19 m) x 6°  
 Mounting ..... Wall only/conduit entry  
 LED indicator ..... Walktest  
 Dimensions ..... 5.12" (13.03 cm) H  
 35.12" (13.03 cm) W  
 3.25" (8.25 cm) D  
 Color ..... Off-White

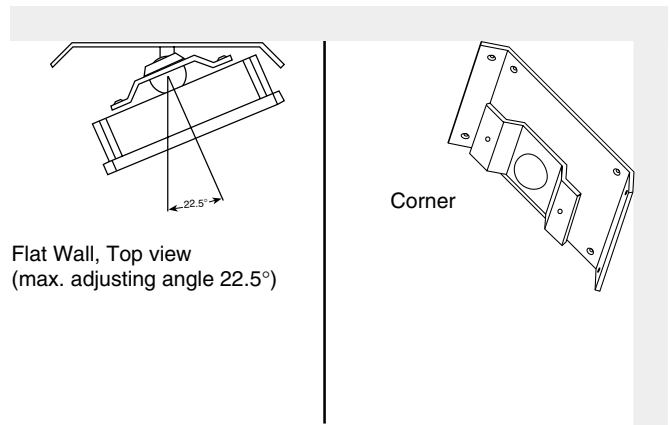
### Long Range



### Vertical Barrier



### 6083 Swivel Bracket



### Ordering Information

Model Number	Loop Type	Electrical Configuration	Listing	Description
6187CTX	Closed, Open	SPDT (N.C. and N.O.)	UL, ULC	Industrial/Outdoor Sharpshooter
618703	—	Normally Low	—	3 volt Outdoor/Industrial
618709	—	Normally High and Low	—	9 volt Outdoor/Industrial
6083-N	—	—	—	Swivel Bracket Assembly



### CORPORATE HEADQUARTERS

12345 SW Leveton Dr., Tualatin, OR 97062  
 Tel.: 503.692.4052 Fax: 503.691.7566  
<http://www.sentrol.com>

**U.S. & Canada: 800.547.2556**  
**Technical Service: 800.648.7424**  
**FaxBack: 800.483.2495**

Sentrol reserves the right to change specifications without notice.

©1999 Sentrol

P-2420-FLG20K-0896  
 Printed on recycled paper